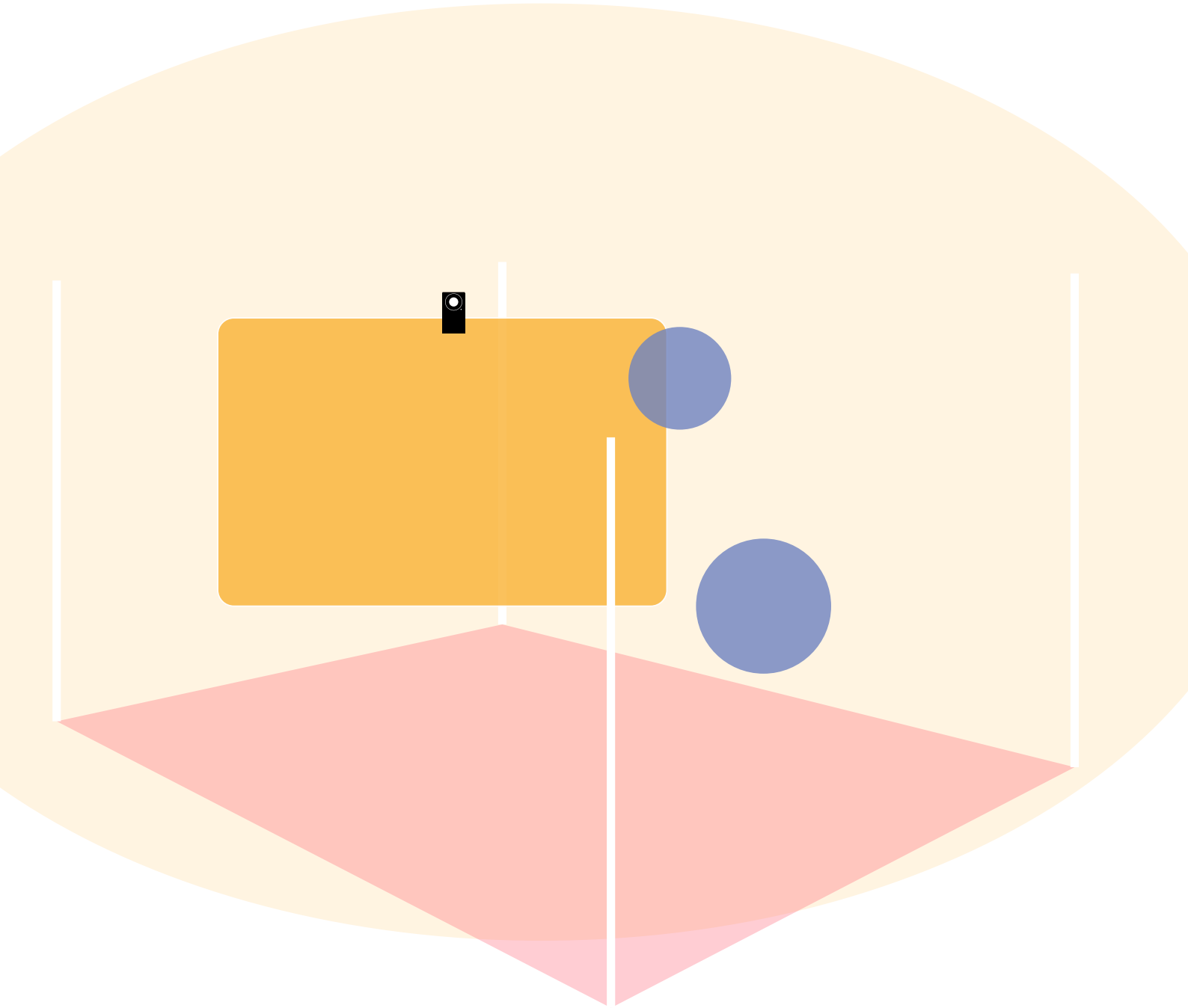
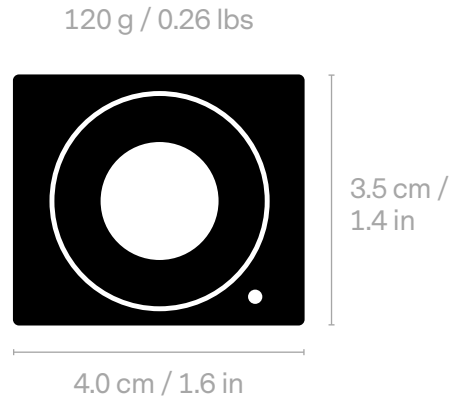


Huddly IQ kit for Jamboard



Huddly IQ for Jamboard Spec Sheet



Features

- High-quality scaling and dewarping
- Automatic white balance and color correction
- Balanced optical aberration correction
- 4x digital zoom
- Low latency video processing
- High performance and lossless audio pickup

Image

- 12 Megapixels 1/2.3" CMOS sensor
- 1080p Full HD @ 30 fps
- 720p HD @ 30 fps
- 16:9 aspect ratio output
- UVC 1.1 plug-and-play compatible

Connection Types

- USB Type-C connector
- SuperSpeed USB 3
- HighSpeed USB 2*

Optics

- Ultra-wide angle glass optics
- Horizontal field of view 120°
- Vertical field of view 90°
- Diagonal field of view 150°
- f/2.8 aperture

Hardware Specifications

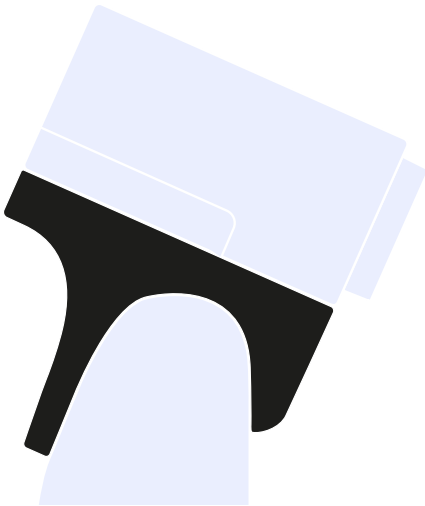
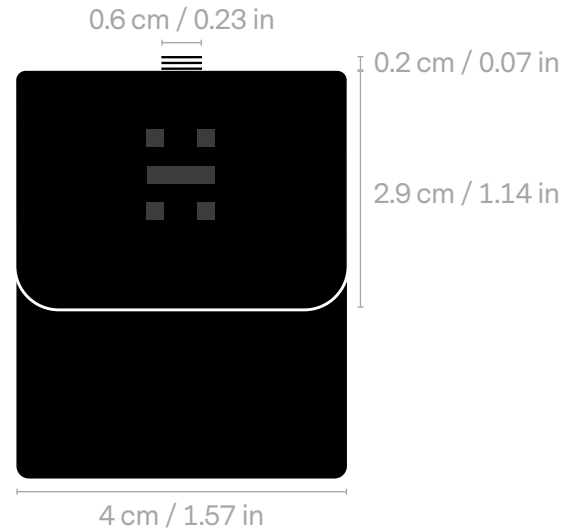
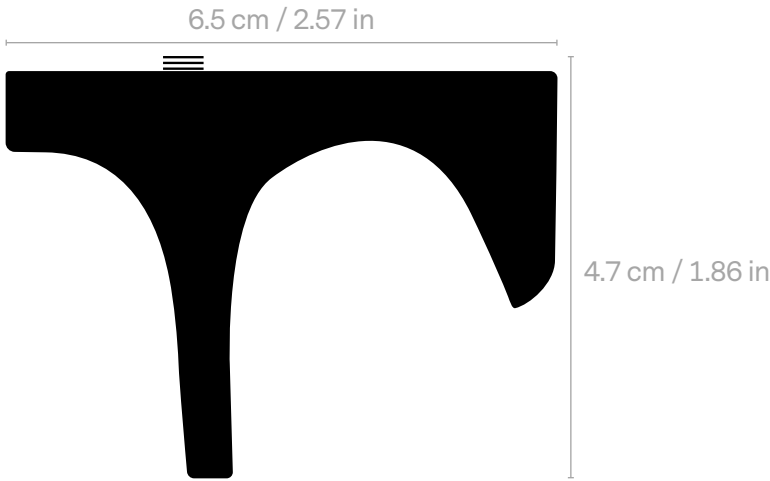
- Aluminum unibody construction
- High-performance video processing engine
- Neural compute engine
- Beamforming microphone array
- Embedded mounting hinge
- Camera tripod mount

Color

Matte Black

*Requires 5V 900 mA power supply

Huddly Bracket for Jamboard Spec Sheet



Bracket with Huddly IQ camera
mounted on Jamboard

Compatibility

Huddly IQ camera
Google Cloud Jamboard

Mounting

Mount on top of display, making
sure camera is centered on the
Jamboard

Tripod screw

0.25"-20 UNC

Weight

36g

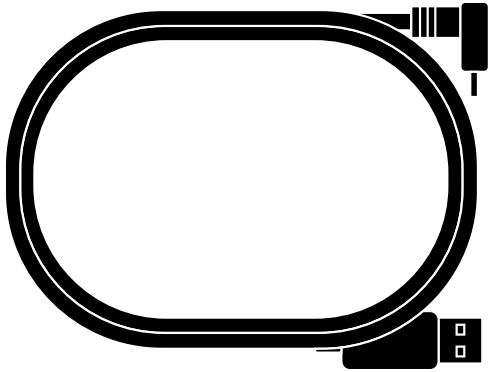
Color

Black

USB 3

Type C to A Cable 1.15 m

Spec Sheet



Dimensions & type

| | |
|-------------------------------|---|
| Length: | 1.15 m |
| Host side plug type: | Type A |
| Host side plug dimensions: | 34 (length), 15 (width), 7 (height) mm |
| Device side plug type: | Angled Type-C |
| Device side plug dimensions: | 17.8 (length), 12.3 (width), 20 (height) mm |
| Color: | Black |
| Weight: | 46 g |
| Cable diameter: | 4.5 mm |
| Minimum bend radius of cable: | 15 mm |

Temperature

| | |
|------------------------|----------|
| Operating temperature: | 0 - 50°C |
|------------------------|----------|

USB support

USB 1.1 FS/ 2.0 HS support
USB 3.1 Gen 1 support (5 Gbps)

Power

| | |
|---------------------------------|--------------------------------------|
| Cable power supply required: | No |
| Cable power supply information: | N/A |
| Cable AWG: | 22 (PWR) 32 (USB 2) 28 (USB 3) |
| Insertion loss: | -16.5dB @ 7.5GHz -3.1dB @ 400Mhz |
| Voltage: | 5 V |
| Rated current (max): | 3 A |

Huddly IQ for Jamboard

Features

Convolutional Neural Network

Multi-layered CNN design allows Huddly IQ to instantly identify visual patterns, and detect people and objects

Neural Compute Engine based on Intel Movidius MyriadX

Edge-based Machine Learning platform that enables onboard intelligent features

Dynamic Light Optimization

Adapts to poor lighting conditions

Visual Noise Filtering

Texture preserving luma noise reduction and wide area chroma noise reduction

Real-Time Dewarping

The wide-angle image is dewarped and perspective corrected in real time, rendering a natural, true-to-life view

Beamforming Microphone Array

The built-in beamforming microphone array makes sure everyone is heard loud and clear

Software-upgradable

Designed to get even smarter over time with regular enhancements and new intelligent feature releases

Digital Pan/Tilt/Zoom

Huddly IQ has no moving parts, making it compact and silent, as well as more reliable and accurate. Instantly pan, tilt and zoom digitally up to 4 times